



PROJECT NAME \_\_\_\_\_

FIXTURE TYPE \_\_\_\_\_

CATALOG NUMBER \_\_\_\_\_

ADDITIONAL NOTES \_\_\_\_\_

# VLG-WR Wide Series

## 2.3" Architectural Linear LED Recessed

### Applications

- Conference Rooms
- Offices
- Lobbies
- Hotels

## Highlights

- 5 Year Warranty
- Up to 1000 lm/ft
- Wattage Adjustable
- Suitable for Damp Locations
- Extruded Aluminum Housing
- Custom Pattern with I, L Connectors
- CCT Adjustable 3000K, 3500K, 4000K
- Available in 2ft, 3ft, 4ft, and 8ft Lengths
- Diffuser N and Regressed Lens Options



## Ordering Guide

Example **LGL-VLG-WR-23-2-3CC-D-N-B-R-10-NC-EM**

### LGL VLG-WR

LUMINOS GLOBAL	PRODUCT	WIDTH	LENGTH	CCT	DISTRIBUTION	OPTICS	FINISH	MOUNTING	DIMMING	CONNECTOR	ACCESSORIES
LGL	VLG-WR	23= (2.3 In.)	2= (2ft.)	3CC= (3000K, 3500K 4000K)	D= (100% Down)	N= (Diffuser N)	B= (Black)	R= (Recessed)	10= (0-10V 10% Standard)	L= (Illuminated L Pattern)	RD= (Rolling Diffuser (42')
			3= (3ft.)			R= (Regressed)	W= (White)		1= (0-10V 1%)	I= (- Pattern)	EM= (8W Emergency)
			4= (4ft.)							NC= (No Connector)	EM2= (25W Emergency)
			8= (8ft.)								MS= (Motion Sensor)



PROJECT NAME \_\_\_\_\_

FIXTURE TYPE \_\_\_\_\_

CATALOG NUMBER \_\_\_\_\_

ADDITIONAL NOTES \_\_\_\_\_

# VLG-WR Wide Series

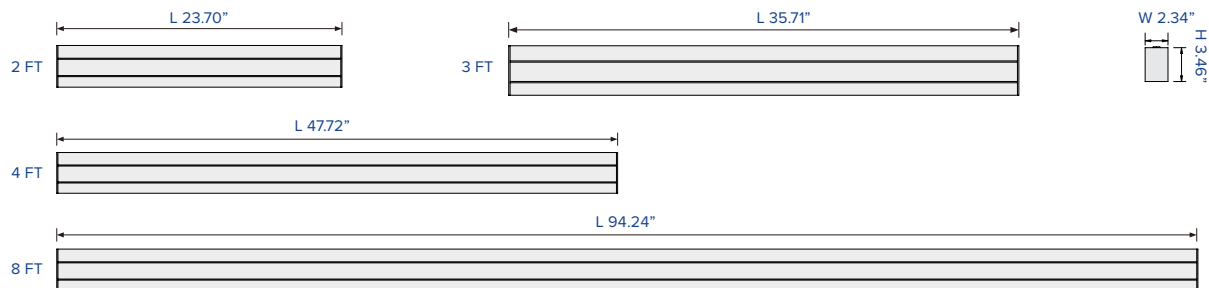
## 2.3” Architectural Linear LED Recessed

### Technical Overview

Performance Summary	Input Voltage	100-277V	
	Input Frequency	50Hz-60Hz	
	Lumen Efficacy	> 110 lm/w	
	Power	2 Ft.	10W, 15W, 20W (Adjustable)
		3 Ft.	15W, 22.5W, 30W (Adjustable)
		4 Ft.	20W, 30W, 40W (Adjustable)
		8 Ft.	40W, 60W, 80W (Adjustable)
	CCT Options	Adjustable 3000K, 3500K, 4000K	
	CRI	80+	
	Power Factor	>0.9	
	Life Span	50,000 hrs	
	Dimming	1-10V (Continuous Dim 10%), 1% Optional	
	Mounting Options	Recessed	
Recommended Dimmers	Lutron® Diva-Dvtv, Leviton® IP-710-DL		

Lens	Lumen Package		
	High	Medium	Low
Diffuser N	1000lm/ft, 10w/ft	750lm/ft, 7.5w/ft	500lm/ft, 5w/ft
Regressed Lens	800lm/ft, 10w/ft	600lm/ft, 7.5w/ft	400lm/ft, 5w/ft

### Dimensions





PROJECT NAME \_\_\_\_\_

FIXTURE TYPE \_\_\_\_\_

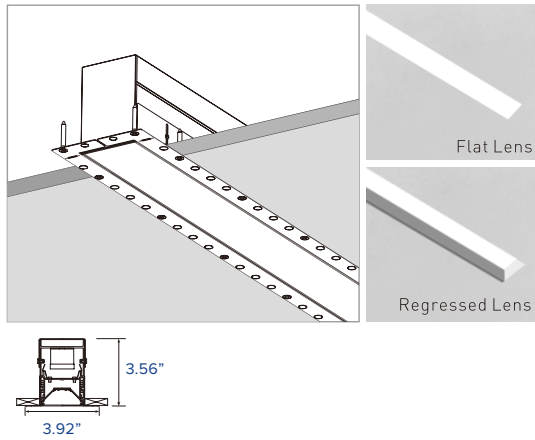
CATALOG NUMBER \_\_\_\_\_

ADDITIONAL NOTES \_\_\_\_\_

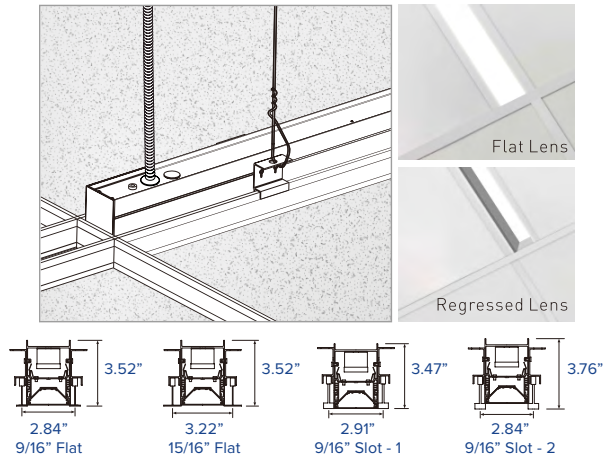
# VLG-WR Wide Series

## 2.3" Architectural Linear LED Recessed Mounting

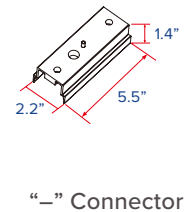
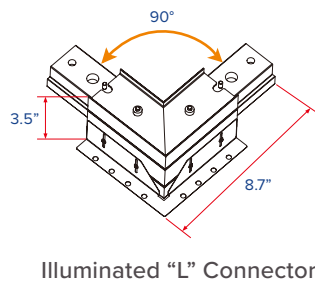
### RECESSED IN DRY WALL



### RECESSED IN GRID CEILING



## Custom Pattern with Connectors





PROJECT NAME \_\_\_\_\_

FIXTURE TYPE \_\_\_\_\_

CATALOG NUMBER \_\_\_\_\_

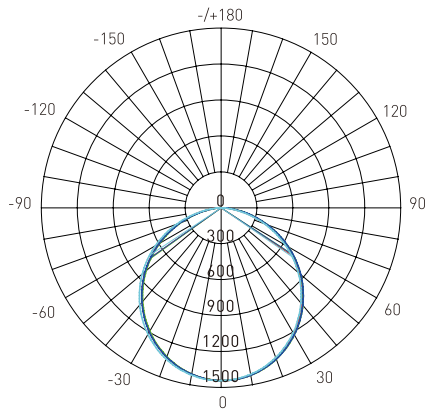
ADDITIONAL NOTES \_\_\_\_\_

# VLG-WR Wide Series

## 2.3" Architectural Linear LED Recessed

### Distribution Diagram

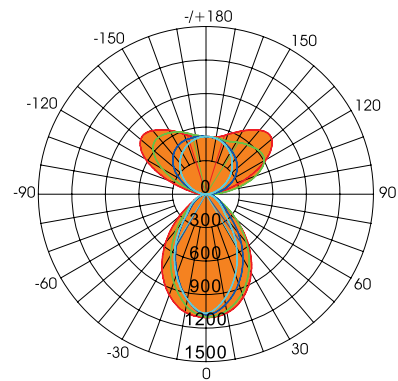
4' Diffuser N / 35000K



Average Beam Angle {50%}: 111.3°

- Lumens: 4069.1
- Lm Watts: 39.05W
- LPW: 104.21 Lm/W
- CCT: 3500K
- UNIT: cd
- CO/180/110.8°
- C30/210, 111.1°
- C60/240, 111.6°
- C90/270, 111.7°

4' / Regressed Lens / 35000K



Average Beam Angle {50%}: 92.7°

- Lumens: 3185.1
- Lm Watts: 39.18W
- LPW: 81.30 Lm/W
- CCT: 3500K
- UNIT: cd
- CO/180/75.9°
- C30/210, 81.3°
- C60/240, 98.3°
- C90/270, 115.4°