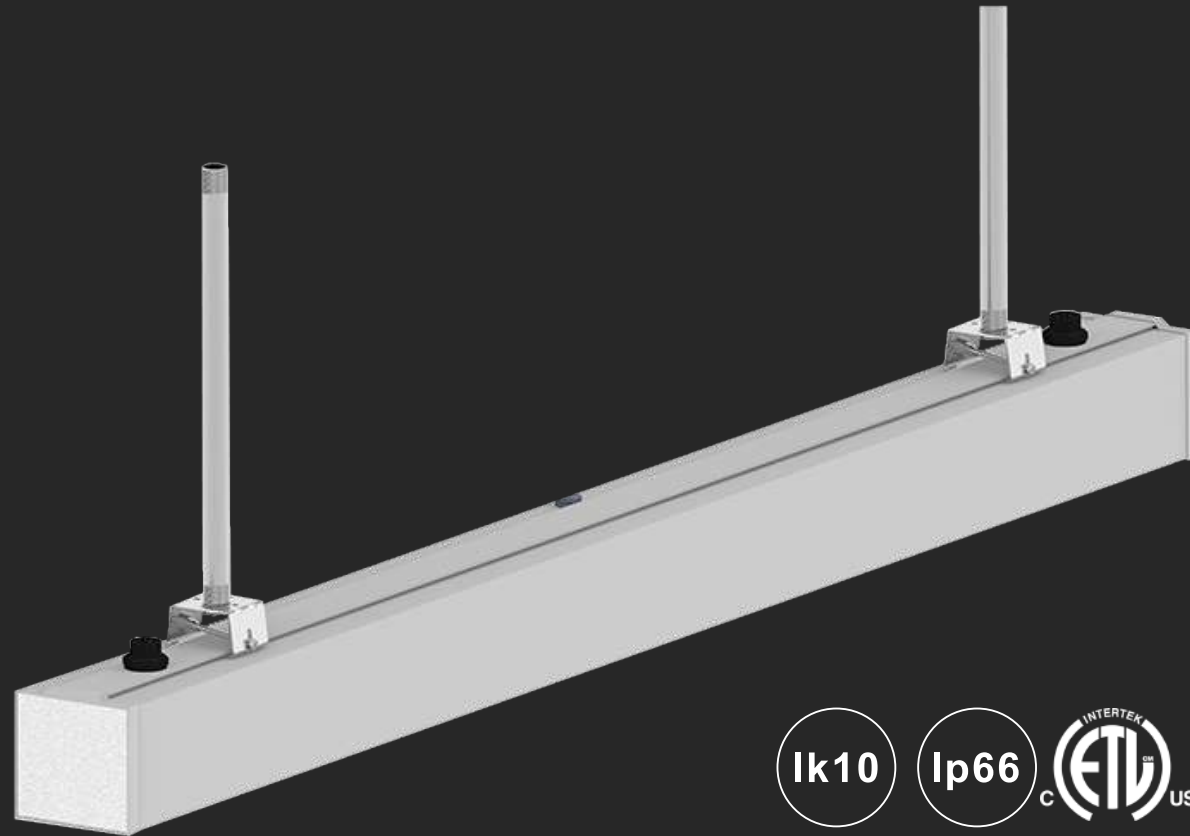





A Closer Look At Our Outdoor Architectural Linear



LCA-W SERIES



Finish

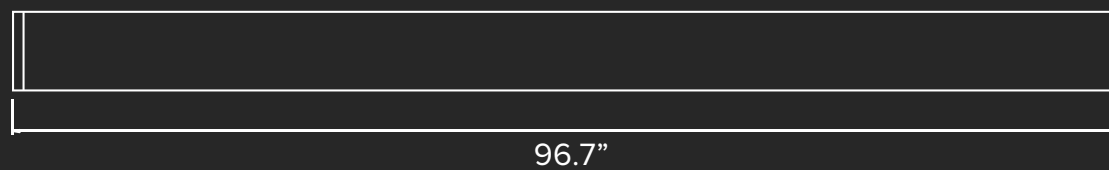
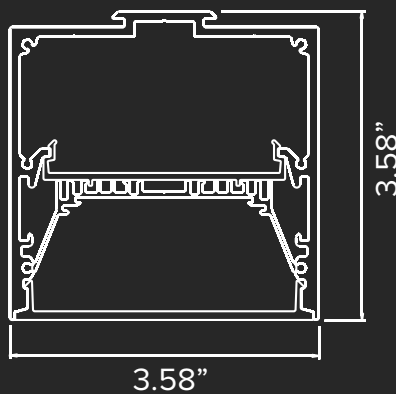
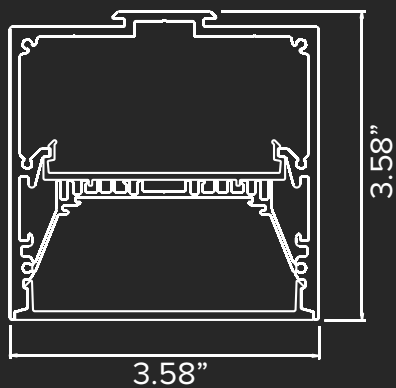
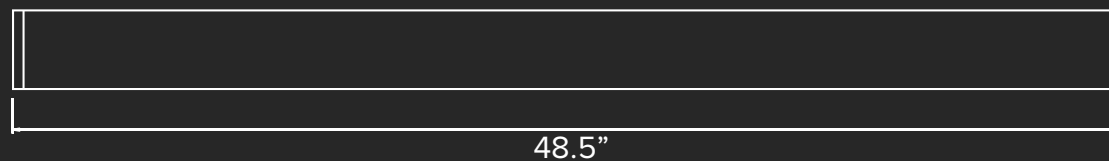
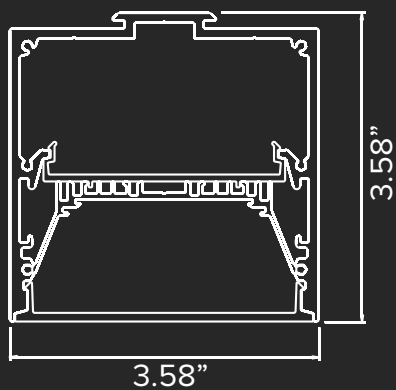
- White 
- Silver 
- Black 

Highlights

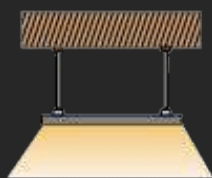
- Anti-UV
- Dimmable
- IK10 Rated
- 5 Year Warranty
- Easy to Connect
- Waterproof (IP66)
- Fire Protection Rated



Dimensions



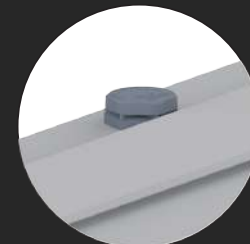
Installation Options



• Pendant



• Breathable Valve



• Surface Mount



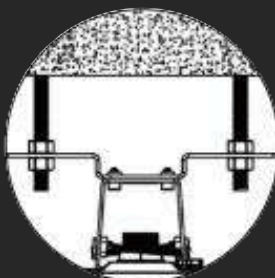
• Easy Linkable System



• Wall Mount



• Recessed



• Color Coded Connection

