



PROJECT NAME _____

FIXTURE TYPE _____

CATALOG NUMBER _____

ADDITIONAL NOTES _____

LCA-W Series

Architectural Linear Light

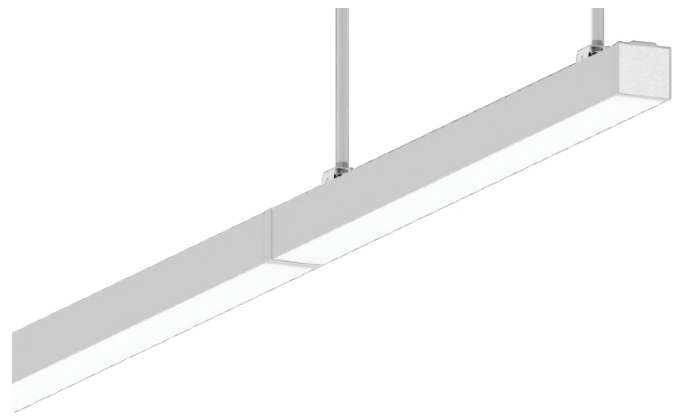
Applications

- Parking Lots
- Lobbies
- Outdoor Lighting



Highlights

- Anti-UV
- Dimmable
- IK10 Rated
- 5 Year Warranty
- Easy to Connect
- Waterproof (IP66)
- Fire Protection Rated



Ordering Guide

Example

LGL-LCA-W-45-30-8-S-D1-P

LGL	LCA-W						
LUMINOS GLOBAL	PRODUCT	POWER	CCT	CRI	COLOR FINISH	DIMMING	INSTALLATION
LGL	LCA-W	23=* (23W - 2ft)	30= (3000K)	8=80	S= (Silver)	ND= (Non-Dimmable)	P= (Pendant)
		34=* (34W - 3ft)	35= (3500K)	9=90	W= (White)	D1= (0-10V)	SM= (Surface Mount)
		45= (45W - 4ft)	40= (4000K)		BL= (Black)	D2= (PWM)	R= (Recessed)
		60= (68W - 6ft)	50= (5000K)			D3= (Resistor Dimming)	WM= (Wall Mount)
		90= (90W - 8ft)	57= (5700K)				

* 2FT & 3FT Versions are not linkable.



PROJECT NAME _____

FIXTURE TYPE _____

CATALOG NUMBER _____

ADDITIONAL NOTES _____

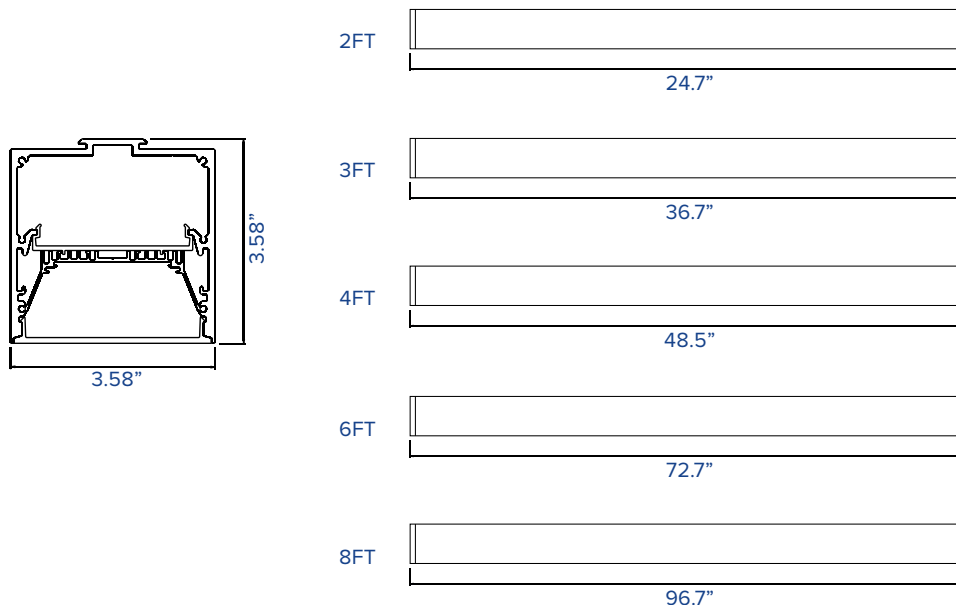
LCA-W Series

Architectural Linear Light

Technical Overview

Performance Summary	Input Voltage	100-277V
	Input Frequency	50Hz-60Hz
	Light Output	23W (2 ft Version) - 2,461 - 2,622 lumens
		34W (3 ft Version) - 3,638 - 3,876 lumens
		45W (4 ft Version) - 4,858 - 5,150 lumens
		68W (6 ft Version) - 7,309 - 7,750 lumens
		90W (8 ft Version) - 9,713 - 10,300 lumens
	Working Environment	Outdoor
	Beam Angle	106°
	Color Temperature	3000K - 5700K
	CRI	80+, 90+
	Power Factor	0.99
	IP Rating	IP66
	Life Span	>50,000 hrs
	Dimmable	0-10V, PWM, Resistor Dimming
Operating Temperature	"-22F" + "113F"	
Weight	6.6lbs (2ft), 9.5lbs (3ft), 12.2lbs (4ft), 18.3lbs (6ft), 23.5lbs (8ft)	

Dimensions





PROJECT NAME _____

FIXTURE TYPE _____

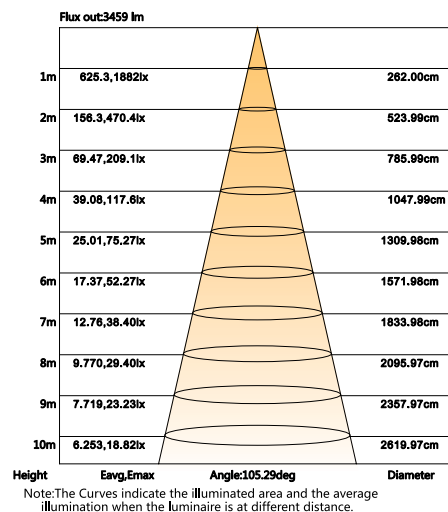
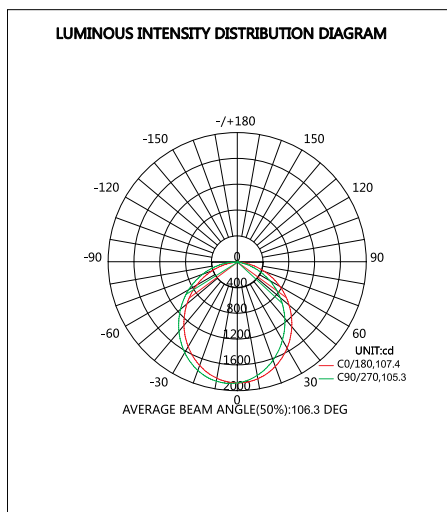
CATALOG NUMBER _____

ADDITIONAL NOTES _____

LCA-W Series

Architectural Linear Light

Photometry



Installation Options

