



PROJECT NAME \_\_\_\_\_

FIXTURE TYPE \_\_\_\_\_

CATALOG NUMBER \_\_\_\_\_

ADDITIONAL NOTES \_\_\_\_\_

# VPR Series

## Vapor Tight Fixture



### Applications

- Car Washes
- Parking Lots
- Gas Stations

## Highlights

- 5VA Flame Rating
- 5 Year Warranty
- IP67 & IK10 Rated
- ETL NSF & DLC Approved
- 100,000 Hours Lifespan
- Up to 145 Lumens per Watt
- 2Ft & 4Ft Lengths available



## Ordering Guide

Example

LGL-VPR-25-SV-3CC-AL-SM-8

LGL	VPR							
LUMINOS GLOBAL	PRODUCT	POWER	VOLTAGE	CCT	OPTIC	MOUNTING	CRI	ACCESSORIES
LGL	VPR	25=(2FT) 25/20/15W	SV= 120-277V	3CC= 3500/4000/5000K	PC= PC Lens	SM= Surface Mount	8= 80CRI	EM= (Emergency B/Up)
		40=(2FT) 40/30/20W	HV= 120-347V		AL Acrylic Lens	PM= Pendant Mount	9= 90CRI	MS= (Motion Sensor)
		50=(4FT) 50/40/30W	HV2= 200-480V					
		60=(4FT) 60/45/30W						
		90=(4FT) 90/75/65W						



PROJECT NAME
FIXTURE TYPE
CATALOG NUMBER
ADDITIONAL NOTES

# VPR Series

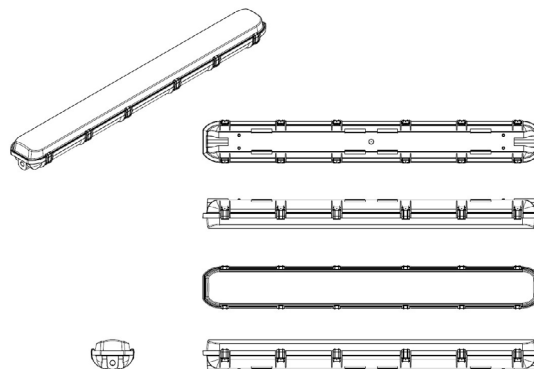
## Vapor Tight Fixture

### Technical Overview

Performance Summary	Input Voltage	120-277V, 120-347V, 200-480V
	Input Frequency	50Hz-60Hz
	Lumen Efficacy	Up to 145 lm/w
	Light Output (Photopic)	25W- 3,625 lumens
		40W- 5,800 lumens
		50W- 7,250 lumens
		60W- 8,700 lumens
		90W- 13,050 lumens
	Operating Temperature	-40°F to 104°F w/o EM; 32°F to 104°F w/ EM
	Surge Protection	4KV (80W and 90W come with 10KV)
	Kelvin Switch Options	3500K, 4000K, 5000K
	CRI	80+
	Power Factor	>0.9
	IP Rating	IP67, Suitable for wet locations
	Life Span	>100K-Hr based on IES LM-80 and TM-21
Mounting Options	Surface Mount or Pendant	
Housing	Fiberglass Housing	

### Dimensions

Model	Length	Width	Height
2FT	27.68 inch [703 mm]	6.5 inch [165 mm]	4.49 inch [114 mm]
4FT	51.18 inch [1300 mm]	6.5 inch [165 mm]	4.49 inch [114 mm]





PROJECT NAME \_\_\_\_\_

FIXTURE TYPE \_\_\_\_\_

CATALOG NUMBER \_\_\_\_\_

ADDITIONAL NOTES \_\_\_\_\_

# VPR Series

## Vapor Tight Fixture

### Included Accessories

---

