



PROJECT NAME _____

FIXTURE TYPE _____

CATALOG NUMBER _____

ADDITIONAL NOTES _____

TRCK-P Series Track Light Fixture



Applications

- Stores
- Restaurants
- Retail

Highlights

- COB LED Chip
- 5 Year Warranty
- Low Glare Design
- 350° Degree Rotation
- Several Finish Options
- Up to 110 Lumens per Watt
- Compatible with Halo, Juno, Lightolier and Global Systems



Ordering Guide

Example

LGL-TRCK-7-15-30-83-G-S-B-T

LGL TRCK-P

LUMINOS GLOBAL	PRODUCT	POWER	BEAM ANGLE	CCT	CRI	MOUNTING ADAPTER	CIRCUIT	FINISH	DIMMING
LGL	TRCK-P	7= 7W	12= 12° (25W/30W)	27= 2700K	83= 83+	H= Halo Adapter	S= Single	B= Black	T= Triac
		10= 10W	15= 15° (7W to 20W)	30= 3000K	90= 90+	J= Juno Adapter	D= Dual	W= White	
		15= 15W	24= 24° (25W/30W)	35= 3500K	95= 95+	L= Lightolier Adapter		SG= Silver Gray	
		20= 20W	25= 25° (7W to 20W)	40= 4000K		G= Global			
		25= 25W	36= 36° (7W to 30W)	50= 5000K					
		30W= 30W	55= 55° (7W/10W)	3CC= 3000/4000/ 5000K					
		30W= 30W	60= 60° (15W to 30W)	5CC= 2700/3000/3500/ 4000/5000K					



PROJECT NAME _____

FIXTURE TYPE _____

CATALOG NUMBER _____

ADDITIONAL NOTES _____

TRCK-P Series

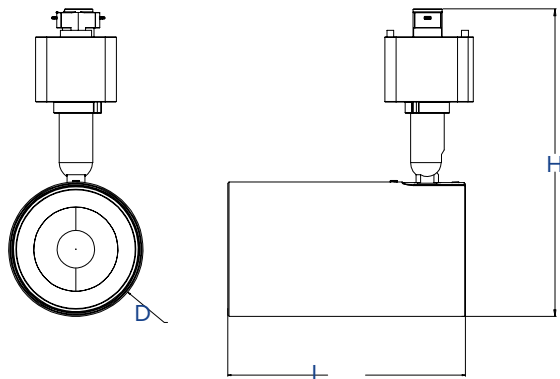
Track Light Fixture



Technical Overview

Performance Summary	Input Voltage	120V
	Input Frequency	50Hz-60Hz
	Lumen Efficacy	Up to 110 lm/w
	Light Output (Photopic)	7W- 770 lumens
		10W- 1,100 lumens
		15W- 1,650 lumens
		20W- 2,200 lumens
		25W- 2,750 lumens
		30W- 3,300 lumens
	Working Environment	Indoor
	Beam Angle	12°, 15°, 24°, 25°, 36°, 55°, 60°
	Kelvin Switch Options	2700K, 3000K, 3500K, 4000K, 5000K, Adjustable
	CRI	83+, 90+, 95+
	Power Factor	>0.98
	IP Rating	IP44
	Life Span	>50,000 hrs
Dimming Options	Triac	
Mounting Options	Track	

Dimensions



Model No	D	H	L
LGL-TRCK-P-7	2.17"	5.50"	3.66"
LGL-TRCK-P-10	2.64"	6.91"	4.33"
LGL-TRCK-P-15	3.27"	6.60"	4.53"
LGL-TRCK-P-20	3.27"	6.60"	4.53"
LGL-TRCK-P-25	3.74"	7.10"	5.24"
LGL-TRCK-P-30	3.74"	7.10"	5.24"



PROJECT NAME _____

FIXTURE TYPE _____

CATALOG NUMBER _____

ADDITIONAL NOTES _____

TRCK-P Series Track Light Fixture



Current Limiting Devices



MODEL: LGL-CL SERIES
Current Limiting Feed with Circuit Breaker

Circuit:
OCE - One-Circuit End Feed
OCI - One-Circuit In-Line Feed
TCE - Two-Circuit End Feed
TCI - Two-Circuit In-Line Feed

Color Finish:
W=White
B=Black
S=Silver

Breaker:
/0.5A = 0.5A (End Feed only)
/1A = 1A
/2.5A = 2.5A
/5A = 5A
/7.5A = 7.5A
/10A = 10A
/12A = 12A
/14A = 14A

Live End Feeds



MODEL: LGL-Z200 SERIES
Single/Two Circuit Live End
Color Finish:
W=White
B=Black
S=Silver



MODEL: LGL-TA1 SERIES
Single/Two Circuit End Feed
Color Finish:
W=White
B=Black
S=Silver



MODEL: LGL-TA4 SERIES
Single/Two Circuit Live End with Box
Color Finish:
W=White
B=Black
S=Silver



MODEL: LGL-TA10 SERIES
Live End with Cord & Plug
Available in 2 wire, 3 wire, 4 wire
Color Finish:
W=White
B=Black
S=Silver



MODEL: LGL-TA3 SERIES
Single/Two Circuit Floating Canopy
Color Finish:
W=White
B=Black
S=Silver



PROJECT NAME _____

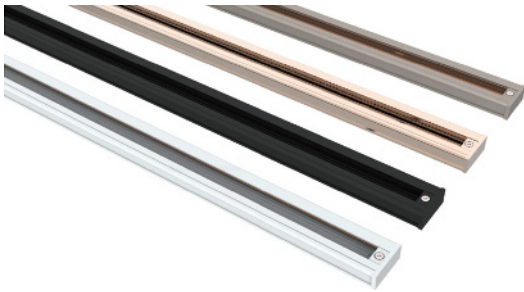
FIXTURE TYPE _____

CATALOG NUMBER _____

ADDITIONAL NOTES _____

TRCK-P Series Track Light Fixture

Connectors & Accessories



MODEL: LGL-LCT SERIES
 Single Circuit/Two Circuit Track
 Single circuit track is rated for 2400W and features 12-gauge copper conductors and a separate ground conductor.
 Two circuit track includes 12-gauge copper conductors and features a double load capacity at 4800W max.
 Single/Two circuit Track is available in white, black, and silver finishes, and in 4, 6, and 8-foot sizes, and can also be field cut to your preference.

Order Code: LGL-LCT-(SINGLE/DOUBLE)-(LENGTH)-(COLOR)
Order Example: LGL-LCT-S-4-W



MODEL: LGL-Z100 SERIES
Global Adaptor
 Color Finish:
 W=White
 B=Black
 S=Silver



MODEL: LGL-Z300 SERIES
Single/Two Circuit Flexible Connector
 Color Finish:
 W=White
 B=Black
 S=Silver



MODEL: LGL-TA7 SERIES
Single/Two Circuit T Connector
 Color Finish:
 W=White
 B=Black
 S=Silver



MODEL: LGL-TA8 SERIES
Single Circuit 90° Connector
 Color Finish:
 W=White
 B=Black
 S=Silver



MODEL: LGL-TA9 SERIES
Single/Two Circuit X-Connector
 Color Finish:
 W=White
 B=Black
 S=Silver



MODEL: LGL-TA6 SERIES
Mini Coupling
 Color Finish:
 W=White
 B=Black
 S=Silver



MODEL: LGL-TA5 SERIES
Track End Cap
 Color Finish:
 W=White
 B=Black
 S=Silver



MODEL: LGL-TA2 SERIES
Attachment Clips for T-Bar Ceiling
 Color Finish:
 W=White
 B=Black
 S=Silver



PROJECT NAME _____

FIXTURE TYPE _____

CATALOG NUMBER _____

ADDITIONAL NOTES _____

TRCK-P Series

Track Light Fixture



Optic Accessories

Example

LGL-TRCK-P-OPTIC-24-30W

LGL TRCK-P

LUMINOS GLOBAL	PRODUCT	TYPE	BEAM ANGLE	POWER
LGL	TRCK-P	OPTIC	12= 12° (25W/30W)	XXW= (Wattage)
			15= 15° (7W to 20W)	
			24= 24° (25W/30W)	
			25= 25° (7W to 20W)	
			36= 36° (7W to 30W)	
			55= 55° (7W/10W)	
			60= 60° (15W to 30W)	