



PROJECT NAME \_\_\_\_\_

CATALOG NUMBER \_\_\_\_\_

NOTES \_\_\_\_\_

FIXTURE TYPE \_\_\_\_\_

# VLG-MP Slim Series

## 1.8" Architectural Linear LED Pendant

### Highlights

- Wattage Adjustable
- CCT Adjustable 3000K, 3500K, 4000K
- Available in 2ft, 4ft, and 8ft Lengths
- Up to 1000 lm/ft
- 5 Year Warranty
- Suitable for Damp Locations
- Extruded Aluminum Housing



### Applications

- Conference Rooms
- Offices
- Lobbies
- Hotels



## Ordering Guide

Example

LGL-VLG-MP-18-2-3CC-D-D-B-FC-16R-I-EM

### LGL VLG-MP

LUMINOS GLOBAL	PRODUCT	WIDTH	LENGTH	CCT	DISTRIBUTION	OPTICS	FINISH	MOUNTING	CANOPY	CONNECTOR	ACCESSORIES
LGL	VLG-MP	18= (1.8 in.)	2= (2ft.)	3CC= (3000K, 3500K, 4000K)	D= (100% Down)	D= (Diffuser)	B= (Black)	DW= (Dry Wall) [Mount to J-Box]	16R= (1.6" Round)	I= (- Pattern)	EM= (8W Emergency)
			4= (4ft.)				W= (White)	FC= (Drop Ceiling Clips) [Suitable for 9/16" and 15/16" Flat Ceiling]	16S= (1.6" Square)	NC= (No Connector)	EM2= (25W Emergency)
			8= (8ft.)				C= (Custom)	9S= (Drop Ceiling Clips) [Suitable for 9/16" Slot Ceiling]	45R= (4.5" Round) [Designed for Power Cable]		
								15S= (Drop Ceiling Clips) [Suitable for 15/16" Slot Ceiling]	45S= (4.5" Square) [Designed for Power Cable]		





PROJECT NAME \_\_\_\_\_

CATALOG NUMBER \_\_\_\_\_

NOTES \_\_\_\_\_

FIXTURE TYPE \_\_\_\_\_

# VLG-MP Slim Series

## 1.8” Architectural Linear LED Pendant

### Standard Line Runs in 120v

Luminaire Run Length (ft)	Run Configuration	Line Connector	5' Power Cable	5' Aircraft Cable	Canopy
2	2'	-	1	2	2
4	4'	-	1	2	2
6	4'+2'	1	1	3	3
8	8'	-	1	2	2
10	8'+2'	1	1	3	3
12	8'+4'	1	1	3	3
14	8'+4'+2'	2	1	4	4
16	8'+8'	1	1	3	3
18	8'+8'+2'	2	1	4	4
20	8'+8'+4'	2	1	4	4
22	8'+8'+4'+2'	3	1	5	5
24	8'+8'+8'	2	1	4	4
26	8'+8'+8'+2'	3	1	5	5
28	8'+8'+8'+4'	3	1	5	5
30	8'+8'+8'+4'+2'	4	1	6	6
32	8'+8'+8'+8'	3	1	5	5
34	8'+8'+8'+8'+2'	4	1	6	6
36	8'+8'+8'+8'+4'	4	1	6	6
38	8'+8'+8'+8'+4'+2'	5	1	7	7
40	8'+8'+8'+8'+8'	4	1	6	6
42	8'+8'+8'+8'+8'+2'	5	2	7	7
44	8'+8'+8'+8'+8'+4'	5	2	7	7
46	8'+8'+8'+8'+8'+4'+2'	6	2	8	8
48	8'+8'+8'+8'+8'+8'	5	2	7	7

Note: 4.5” canopy is designed for power cable.



PROJECT NAME \_\_\_\_\_

CATALOG NUMBER \_\_\_\_\_

NOTES \_\_\_\_\_

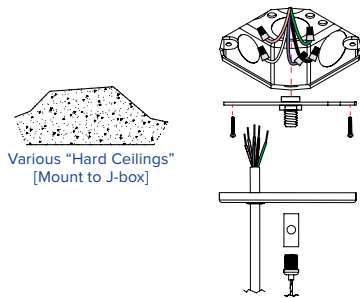
FIXTURE TYPE \_\_\_\_\_

# VLG-MP Slim Series

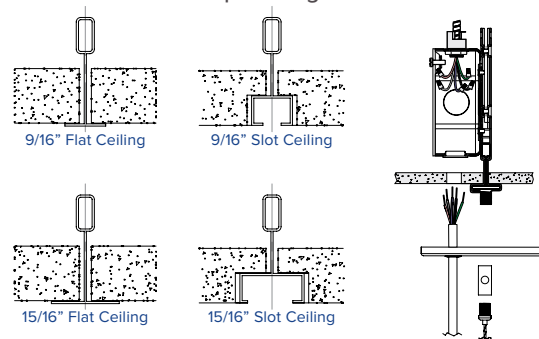
## 1.8" Architectural Linear LED Pendant

### Mounting

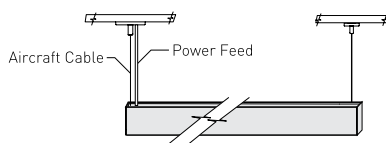
Dry Wall / Off Grid



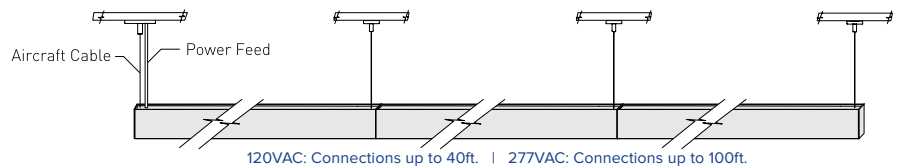
Drop Ceiling / On Grid



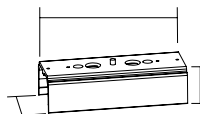
Individual



Continuous Run



### Custom Pattern with Connectors



"\_" pattern



PROJECT NAME \_\_\_\_\_

CATALOG NUMBER \_\_\_\_\_

NOTES \_\_\_\_\_

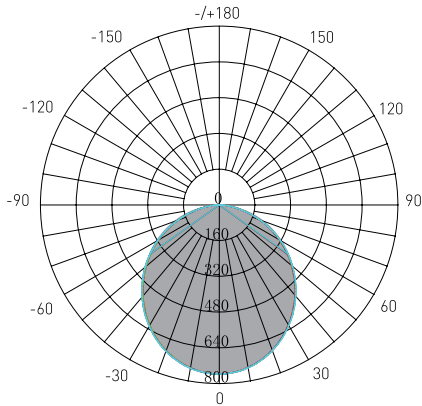
FIXTURE TYPE \_\_\_\_\_

# VLG-MP Slim Series

## 1.8" Architectural Linear LED Pendant

### Distribution Diagram

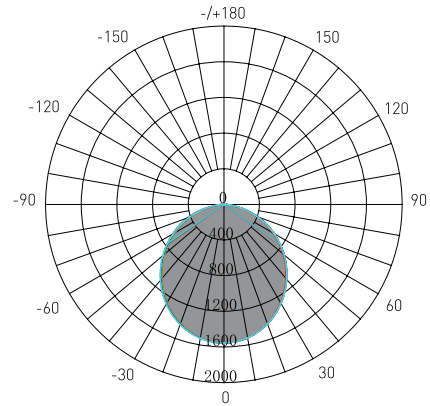
20W / 3500K



Average Beam Angle {50%}: 109.0°

Test Number: \_\_\_\_\_ UNIT: cd  
 Lumens: 2000 Lm —CO/180/108.5°  
 Watts: 20W —C30/210, 108.8°  
 LPW: 100 Lm/W —C60/240, 109.3°  
 CCT: 3500K —C90/270, 109.4°

40W / 3500K



Average Beam Angle {50%}: 108.9°

Test Number: \_\_\_\_\_ UNIT: cd  
 Lumens: 4000 Lm —CO/180/108.1°  
 Watts: 40W —C30/210, 108.6°  
 LPW: 100 Lm/W —C60/240, 109.4°  
 CCT: 3500K —C90/270, 109.7°