



PROJECT NAME _____

CATALOG NUMBER _____

NOTES _____

FIXTURE TYPE _____

SCN Series

Wall Sconce

Highlights

- Ideal Wall Light for Exterior
- Variety of Lighting Combinations
- IP 66 Rated
- 50,000 Hrs. Lifespan
- 5 Year Warranty



Applications

- Wall Lighting
- Building Facades
- Outdoor Lighting



Ordering Guide

Example

LGL-SCN-9-SV-30-6-UD

LGL	SCN						
LUMINOS GLOBAL	PRODUCT	POWER	VOLTAGE	CCT	BEAM ANGLE	FINISH	LIGHT DIRECTION
LGL	SCN	9=9W	SV=100-277V	30=3000K	1=15°	B=Black	UD=Up/Down
		12=12W		40=4000K	3=30°	BR=Brown	D=Down
		18=18W		50=5000K	6=60°		U=Up
		24=24W		R=RGB			
		30=30W		RW=RGB-W			
		36=36W					



PROJECT NAME _____

CATALOG NUMBER _____

NOTES _____

FIXTURE TYPE _____

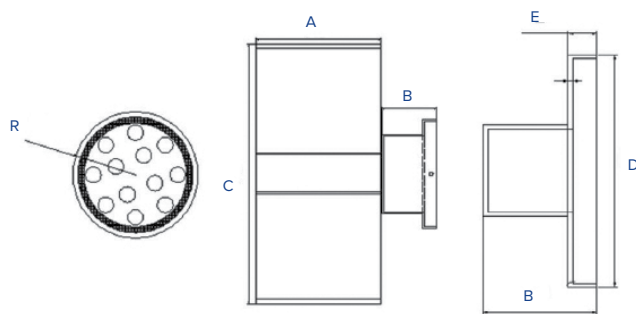
SCN Series

Wall Sconce

Technical Overview

Performance Summary	Input Voltage	100-277V
	Input Frequency	50Hz-60Hz
	Lumen Efficacy	Up to 90 lm/w
	Light Output	9W-810 lumens
		12W-1,080 lumens
		18W-1,620 lumens
		24W-2,160 lumens
		30W-2,700 lumens
		36W-3,240 lumens
	Working Environment	Outdoor
	Beam Angle	15°, 30°, 60°
	Color Temperature	3000K, 4000K, 5000K, RGB, RGB-W
	CRI	70+
	Power Factor	>0.9
	IP Rating	IP66
	Life Span	50,000 hrs
Dimming Options	0-10V	
Mounting Options	Wall Mount	

Dimensions



Power	A	B	C	D	E
1*9W/1*12W	4.25"	2.51"	7.87"	5"	0.63"
1*18W	5.57"	2.51"	7.87"	5"	0.63"
1*24W/1*30W	6.3"	2.51"	7.87"	5"	0.63"
1*36W	7.1"	2.51"	7.87"	5"	0.63"