



PROJECT NAME \_\_\_\_\_

CATALOG NUMBER \_\_\_\_\_

NOTES \_\_\_\_\_

FIXTURE TYPE \_\_\_\_\_

# RCP Series

## Light Control

### Highlights

- 50,000 Hours
- Up to 140 Lumens per Watt
- 5 Year Warranty
- ETL Certified
- Optional Diffuser Lens



### Applications

- Parking Facilities
- Large General Areas

## Ordering Guide

Example

LGL-RCP-40-SV-HO-7-EM-C

### LGL RCP

LUMINOS GLOBAL	PRODUCT	POWER	VOLTAGE	OUTPUT	CCT	CRI	CONTROLS	MOUNTING
LGL	RCP	40=40W	SV= (100-277V)	HO= (140lm/w)	30= (3000K)	7=70	Blank= (No Controls)	Blank= (No Accessories)
		60=60W	HV= (200-480V)		40= (4000K)	8=80	EM= (Emergency Back Up)	C= (Ceiling Mount)
					50= (5000K)		MS= (Motion Sensor)	NPT= (NPT Mount)
							DS= (Daylight Sensor)	



PROJECT NAME \_\_\_\_\_

CATALOG NUMBER \_\_\_\_\_

NOTES \_\_\_\_\_

FIXTURE TYPE \_\_\_\_\_

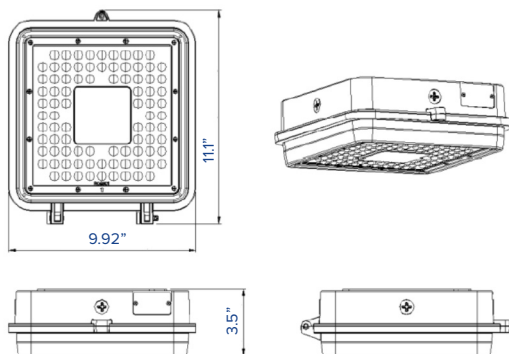
# RCP Series

## Light Control

### Technical Overview

Performance Summary	Input Voltage	100-277V, 200-480V
	Input Frequency	50Hz-60Hz
	Lumen Efficacy	Up to 140 lm/w
	Light Output	40W-5,600 lumens 60W-8,400 lumens
	Working Environment	Indoor
	Beam Angle	140°
	Color Temperature	3000K, 4000K, 5000K
	CRI	70+, 80+
	Power Factor	>0.9
	IP Rating	IP65
	Life Span	>50,000 hrs.
	Dimming Options	0-10V
	Mounting Options	Ceiling Mount or NPT Mount

### Dimensions





PROJECT NAME \_\_\_\_\_

CATALOG NUMBER \_\_\_\_\_

NOTES \_\_\_\_\_

FIXTURE TYPE \_\_\_\_\_

## RCP Series

### Light Control

### Mounting Options

---



Ceiling Mount



NPT Mount