



PROJECT NAME _____

CATALOG NUMBER _____

NOTES _____

FIXTURE TYPE _____

T-SLIM Series

Innovative Linear Light

Highlights

- 50,000 Hours
- Up to 130 Lumens per Watt
- 5 Year Warranty
- Architectural Lighting
- Can Be Connected in Continuous Rows
- UL Approved



Applications

- Offices
- Lobbies
- Hotels

Ordering Guide

Example

LGL-TSLIM-2-SV-30-9

LGL	T-SLIM					
LUMINOS GLOBAL	PRODUCT	SIZE	VOLTAGE	CCT	T-BAR TYPE	ADDITIONAL OPTIONS
LGL	T-SLIM	2=2 Ft.	SV=100-277V	30=3000K	9=9/16	EM=Emergency Back Up
		4=4 Ft.		35=3500K	S=9/16 Slot Grit	
				40=4000K	I=9/16 Interlude	
				50=5000K	15=15/16	



PROJECT NAME _____

CATALOG NUMBER _____

NOTES _____

FIXTURE TYPE _____

T-SLIM Series

Innovative Linear Light

Technical Overview



	LGL-T-SLIM-9	LGL-T-SLIM-S	LGL-T-SLIM-I	LGL-T-SLIM-15
	9/16" Flat	9/16" Slot	9/16" Interlude	15/16" Flat
T-grids Ceiling Compatibility	 Suprafine® XL	 Silhouette® 1/4" XL Silhouette® 1/8" XL	 Interlude® XL Sonata® XL	 Prelude® XL Clean Room
Size	 0.48" 0.56"	 0.77" 0.56"	 0.48" 0.56"	 0.51" 0.94"
Lengths / Wattages/ Lumen	2ft 10w 1100 lm 4ft 20w 2200 lm	2 ft 10w 1100 lm 4ft 20w 2200 lm	2ft 10w 1100 lm 4ft 20w 2200 lm	2ft 10w 1300 lm 4ft 20w 2600 lm
Efficacy	>110 lm/w	>110 lm/w	>110 lm/w	>130 lm/w
120° Beam Angle	✓	✓	✓	✓
100-277V AC Input	✓	✓	✓	✓
Custom Pattern	✓			✓
Plenum Rated Cable Option	✓	✓	✓	✓
Emergency Option	✓	✓	✓	✓
CCEA Option	✓			✓
UL/CUL	✓	✓	✓	✓
DLC	✓ (Standard)			✓ (Premium)

Note: Suprafine®, Silhouette®, Interlude®, Sonata®, Prelude®, are trademarks of Armstrong World Industries (AWI) company.





PROJECT NAME _____

CATALOG NUMBER _____

NOTES _____

FIXTURE TYPE _____

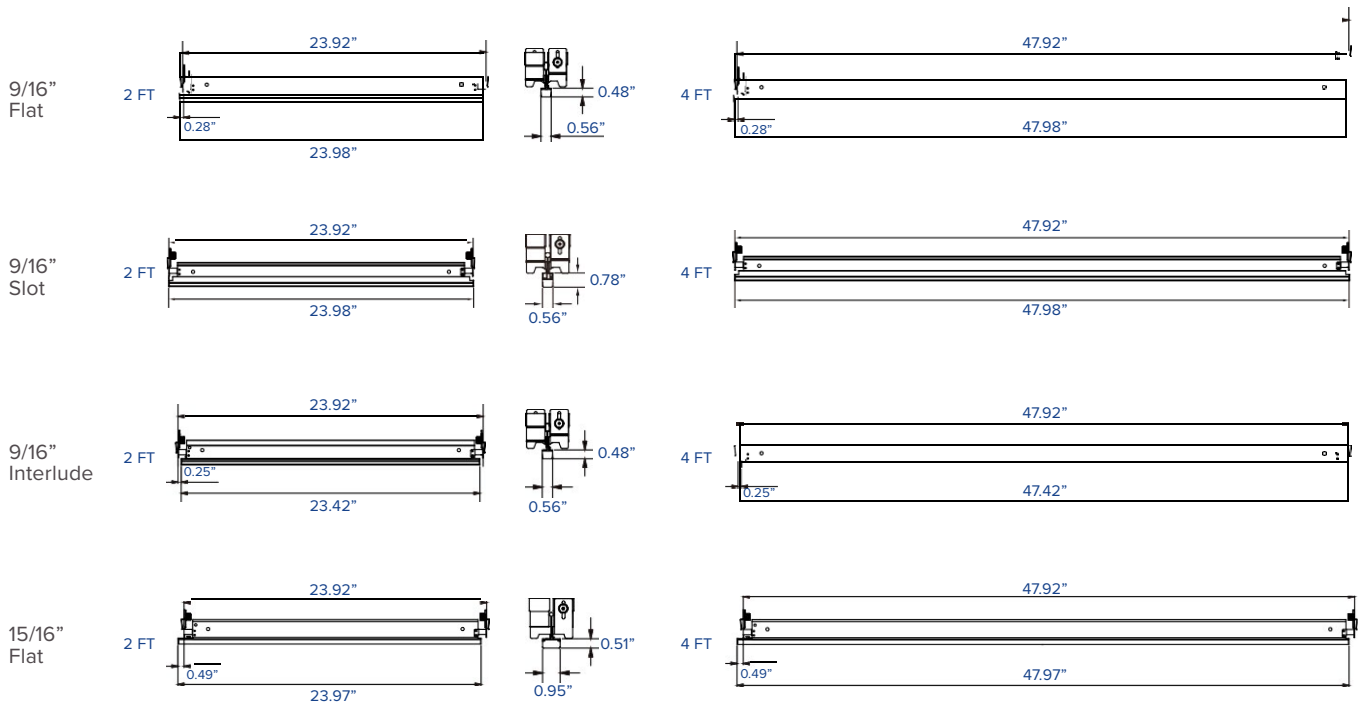
T-SLIM Series

Innovative Linear Light

Technical Overview

Performance Summary	Working Environment	Indoor
	Kelvin Options	3500K, 4000K, 5000K
	CRI	80+
	Power Factor	>0.9
	Damp Rated	Yes
	Life Span	50,000 hrs
	Dimming Options	0-10V (12% - 100%)
	Mounting Options	Recessed
	IC Rated	Yes

Dimensions





PROJECT NAME _____

CATALOG NUMBER _____

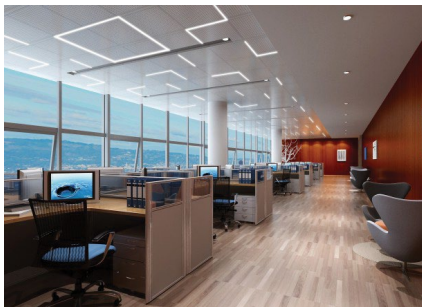
NOTES _____

FIXTURE TYPE _____

T-SLIM Series

Innovative Linear Light

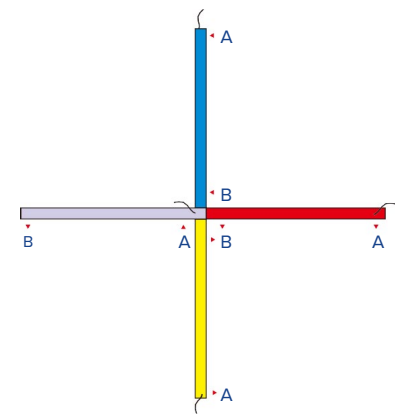
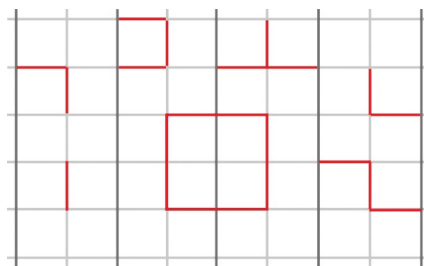
Custom Pattern (Only for LGL-T-SLIM-9 and LGL-T-SLIM-15)



T-SLIM LED can be installed in many configurations by replacing any of the cross tees between the main runners of the grid ceiling assembly.

It is free to create compelling spaces, and your space no longer has to be restricted to a single pattern on the ceiling. Custom pattern such as "L," "T", "+," "□" etc.

Custom Pattern Version

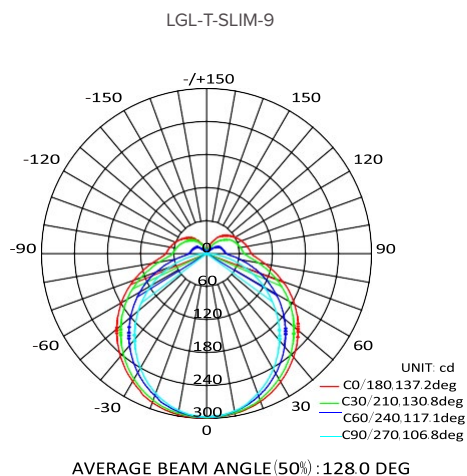


- Examples of configurations
- Possible positions for T-grid LED light modules
- One-piece main runner cannot be replaced

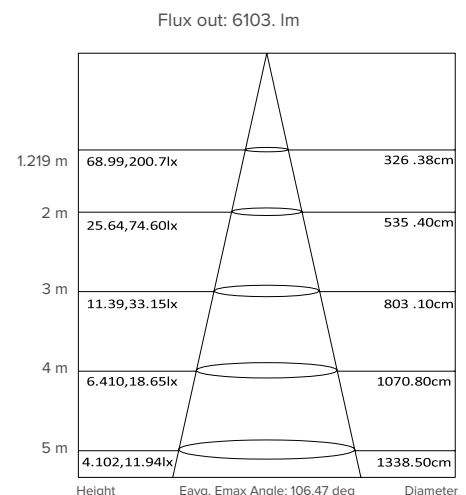
Remark: Only one A-end with wire in joint

Photometry

Luminous Intensity Distribution Diagram



Average Illuminance Curve





PROJECT NAME _____

CATALOG NUMBER _____

NOTES _____

FIXTURE TYPE _____

T-SLIM Series

Innovative Linear Light

Driver Specs



Performance Summary

Input Voltage	100-277V
Input Frequency	50-60 Hz
Output Voltage	30~38 Vdc
Connection Terminal For LGL-T-SLIM	RJ45
Size	13.78" x 3.23" x 2.36"
Power	30W (Powers up to 3 pcs of T-SLIM-2Ft) (Can only be used for T-SLIM-2Ft)
	60W (Powers up to 3 pcs of T-SLIM-4Ft) (Can only be used for T-SLIM-4Ft)
Weight	2.2 lbs.
Operating Temperature	-13°F~104°F
Storage Temperature	-40°F~185°F
Warranty	5 Years
Mounting	Attaches to the top of the T-Bar
Suitable for Damp Locations	Yes
Type IC	Yes