



PROJECT NAME \_\_\_\_\_

CATALOG NUMBER \_\_\_\_\_

NOTES \_\_\_\_\_

FIXTURE TYPE \_\_\_\_\_

# LTFR Series

## Troffer

### Highlights

- Elegant Design
- 100,000 Hours
- Up to 130 Lumens per Watt
- 5 Year Warranty
- 0-10V Dimmable
- UL, DLC Approved
- Power Selectable Dip Switch



### Applications

- Schools
- Offices
- Hospitals

## Ordering Guide

Example

LGL-LTFR-22-2P-SV-35

LGL	LTFR					
LUMINOS GLOBAL	PRODUCT	SIZE	POWER	VOLTAGE	CCT	ADDITIONAL OPTIONS
LGL	LTFR	22=2X2	2P=21W, 28W, 32W (2x2 Only)	SV=100-277V	35= (3500K)	EM= (Emergency Back Up)
		24=2X4	4P=35W, 50W, 64W (2x4 Only)		40= (4000K)	MS=Motion Sensor (Emergency Back Up)



PROJECT NAME \_\_\_\_\_

CATALOG NUMBER \_\_\_\_\_

NOTES \_\_\_\_\_

FIXTURE TYPE \_\_\_\_\_

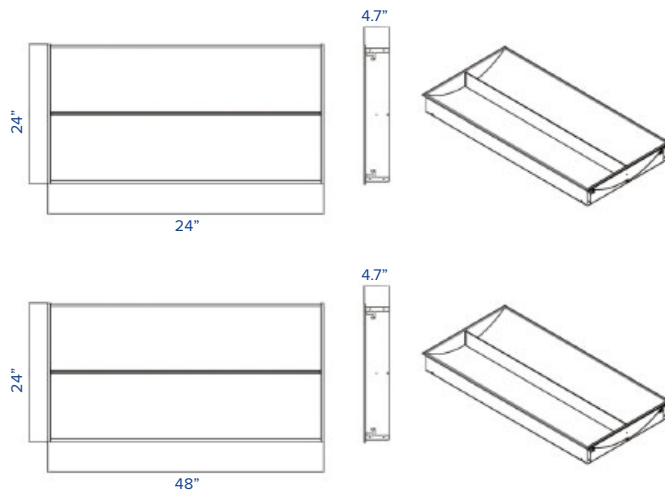
# LTFR Series

## Troffer

### Technical Overview

Performance Summary	Input Voltage	100-277V		
	Input Frequency	50Hz-60Hz		
	Lumen Efficacy	Up to 130 lm/w		
	Light Output (Photopic)	3500°K	4000°K	
		21W-2,541 lumens	21W-2,562 lumens	
		28W-3,304 lumens	28W-3,332 lumens	
		32W-3,680 lumens	32W-3,712 lumens	
		35W-4,375 lumens	35W-4,410 lumens	
		50W-6,000 lumens	50W-6,050 lumens	
		64W-7,360 lumens	64W-7,424 lumens	
	Working Environment	Indoor		
	Beam Angle	120°		
	CCT Options	3500°K, 4000°K		
	CRI	80+		
Power Factor	>0.95			
IP Rating	IP44			
Life Span	100,000 hrs			
Dimming Options	0-10V			
Mounting Options	Recessed			

### Dimensions



Model No	Length	Width
LGL-LTFR-22	24"	24"
LGL-LTFR-24	48"	24"

