



PROJECT NAME _____

CATALOG NUMBER _____

NOTES _____

FIXTURE TYPE _____

FCW Series

Wallpack

Highlights

- Modern Design
- 50,000 Hours
- 125 Lumens per Watt
- 5 Year Warranty



Applications

- Walls
- Facades
- Perimeter Lighting



Ordering Guide

Example

LGL-FCW-12-SV-30-S-PC

LGL	FCW					
LUMINOS GLOBAL	PRODUCT	POWER	VOLTAGE	CCT	FINISH	ACCESSORIES
LGL	FCW	12=12W	SV=100-277V	30=3000K	DB= Dark Bronze	PC=Photocell
		25=25W	HV=340-480V	40=4000K	S=Silver	EM=Emergency Backup
		30=30W		50=5000K		MS=Motion Sensor
		40=40W		57=5700K		
		70=70W				



PROJECT NAME _____

CATALOG NUMBER _____

NOTES _____

FIXTURE TYPE _____

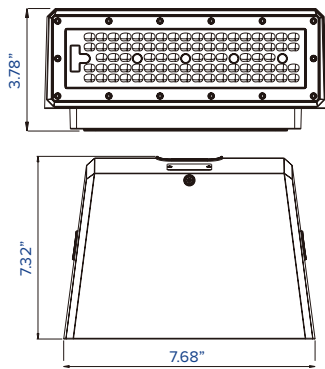
FCW Series

Wallpack

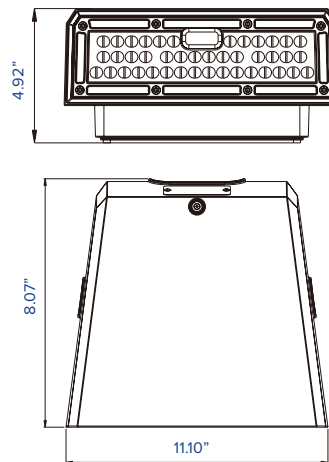
Technical Overview

Performance Summary	Input Voltage	100-277V
	Input Frequency	50Hz-60Hz
	Lumen Efficacy	125 lm/w
	Light Output (Photopic)	12W- 1,500 lumens
		25W- 3,125 lumens
		30W- 3,750 lumens
		40W- 5,000 lumens
		70W- 8,750 lumens
	Working Environment	Outdoor
	Beam Angle	120°
	Kelvin Switch Options	3000K, 4000K, 5000K, 5700K
	CRI	70+
	Power Factor	>0.95
	IP Rating	IP65
	Life Span	50,000 hrs
	Dimming Options	0-10V
Mounting Options	Surface Mount	

Dimensions



- Model No
- LGL-FCW-12
- LGL-FCW-25
- LGL-FCW-30



- Model No
- LGL-FCW-40
- LGL-FCW-70