



PROJECT NAME _____

CATALOG NUMBER _____

NOTES _____

FIXTURE TYPE _____

ATFR Series

Troffer

Highlights

- Elegant Design
- 50,000 Hours
- Up to 100 Lumens per Watt
- 5 Year Warranty
- 0-10V Dimmable
- 80+ CRI
- UL, DLC Approved



Applications

- Schools
- Offices
- Hospitals

Ordering Guide

Example

LGL-ATFR-22-27-SV-40

LGL		ATFR				
LUMINOS GLOBAL	PRODUCT	SIZE	POWER	VOLTAGE	CCT	ADDITIONAL OPTIONS
LGL	ATFR	14=1X4		SV=100-277V	30=3000K	Blank=No Options
		22=2X4	27=27W	EV=100-347V	35=3500K	EM=Emergency Back Up
		22=2X2	40=40W		40=4000K	MS=Motion Sensor
		24=2X4			50=5000K	
		24=2X4	62=62W			



PROJECT NAME _____

CATALOG NUMBER _____

NOTES _____

FIXTURE TYPE _____

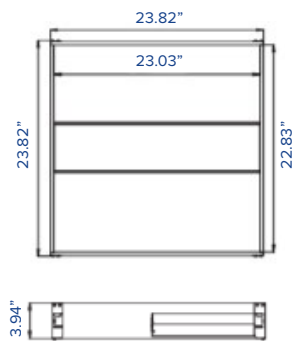
ATFR Series

Troffer

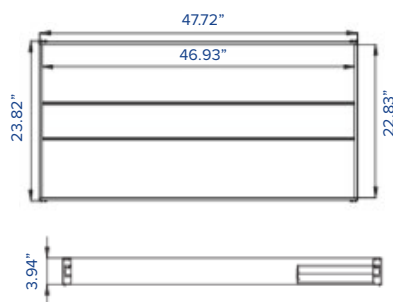
Technical Overview

Performance Summary	Input Voltage	100-277V, 120-347V	
	Input Frequency	50Hz-60Hz	
	Lumen Efficacy	Up to 100 lm/w	
	Light Output (Photopic)	2x2	27W- 2,700 lumens
			40W- 4,000 lumens
		2x4	40W- 4,000 lumens
			62W- 6,200 lumens
		1x4	40W- 4,000 lumens
	Working Environment	Indoor	
	Beam Angle	120°	
	Kelvin Switch Options	3000K, 4000K, 5000K	
	CRI	80+	
	Power Factor	>0.95	
	IP Rating	IP44	
Life Span	50,000 hrs		
Dimming Options	0-10V		
Mounting Options	Recessed		

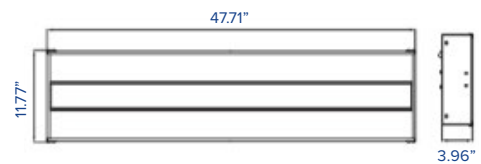
Dimensions



Model LGL-ATFR-22



Model LGL-ATFR-24



Model LGL-ATFR-14

